



Iron Plains® Capsule

Vessel bathroom sink

K-20213-P5

Features

- Elongated oval basin.
- No faucet holes; requires wall- or counter-mount faucet.
- Overflow drain.

Material

- KOHLER® enameled cast iron.
- Painted underside in Iron Black.

Installation

- Vessel, drop-in, or under-mount.

Recommended Products/Accessories

- K-23726 Drain treatment
- K-23725 Cast iron cleaner



ADA	CSA B651
-----	----------

Codes/Standards

ASME A112.19.1/CSA B45.2
 ADA
 ICC/ANSI A117.1
 CSA B651

Lifetime Limited Warranty for KOHLER® Cast Iron Components

See website for detailed warranty information.

Available Colors/Finishes

Color tiles intended for reference only.

Color	Code	Description
	0	White
	FF	Sea Salt™
	96	Biscuit
	FD	Cane Sugar™
	NY	Dune
	FT	Basalt
	KA	Black 'n Tan
	7	Black Black™

1-800-4KOHLER (1-800-456-4537)

Kohler Co. reserves the right to make revisions without notice to product specifications.

For the most current Specification Sheet, go to www.kohler.com.

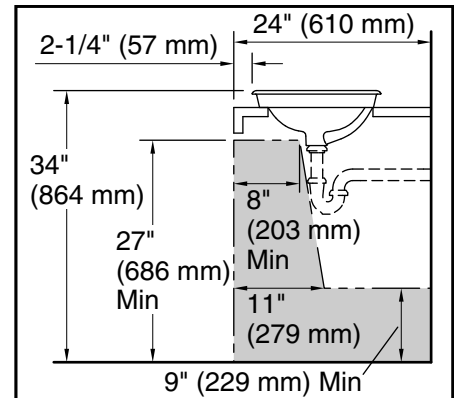
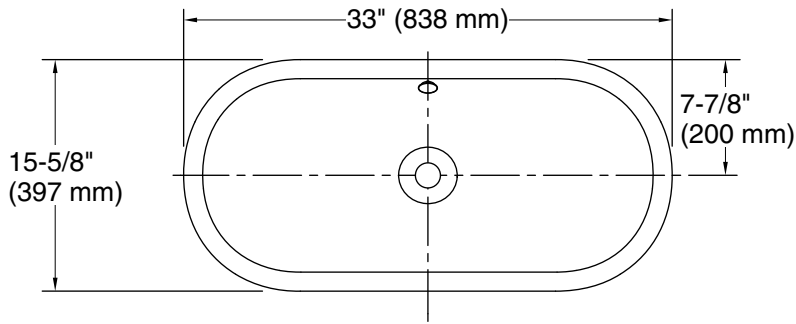
THE BOLD LOOK
OF **KOHLER**®



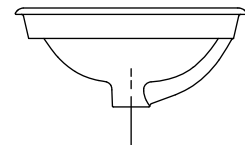
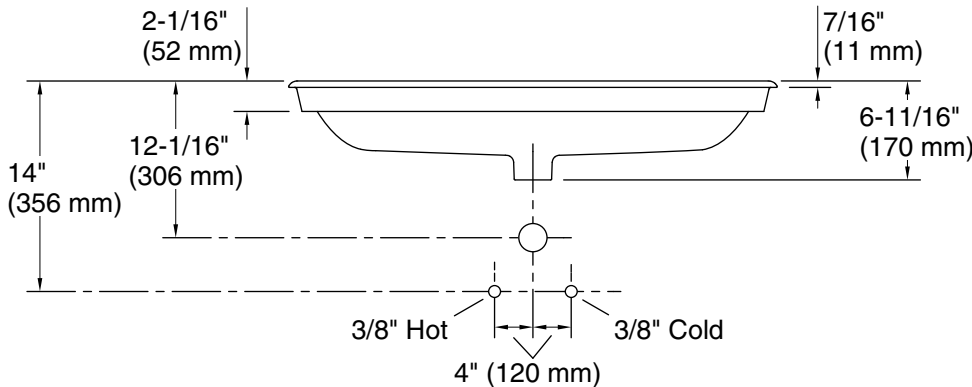
Iron Plains® Capsule

Vessel bathroom sink

K-20213-P5



Recommended ADA Installation



Technical Information

All product dimensions are nominal.

- Installation: Drop-in, Under-mount, Vessel
- Drain hole: 1-3/4" (44 mm)
- Template: 1319049-7, required, included

Notes

Install this product according to the installation instructions.

NOTICE: Countertop manufacturer or cutter must use the cut-out template provided with the product, or a current one provided by Kohler Co. (call 1-800-4-KOHLER). Kohler Co. is not responsible for cutout errors when the incorrect cut-out template is used.

ADA, CSA B651 compliant when installed to the specific requirements of these regulations.